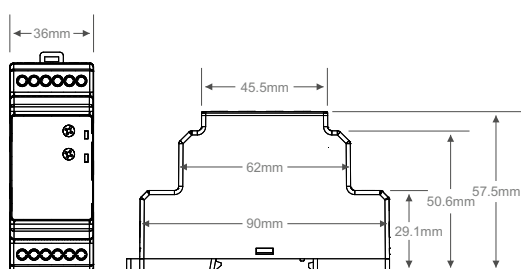


| type | order no |
|-----------|----------|
| CT3-AC | 600 100 |
| CT3-AC-24 | 600 102 |
| CT3-AC-LP | 600 104 |

technical specifications

| | |
|-------------------------------------|--|
| Supply voltage (U_N) | CT3-AC : 85 .. 265V AC/DC CT3-AC-24 : 10 .. 36V DC CT3-AC-LP : 9 .. 30V DC |
| Power consumption | < 1.5 W < 4 VA |
| Response time | < 350 ms |
| Measurement error | < %0.2 (full scale, 25°C) |
| Temperature coefficient | < 150 ppm/°C |
| Surge withstand | 100A (1s) |
| Continuous overload current | 10A |
| Input signal range (configurable) | 0 .. 1 A AC 0 .. 2 A AC 0 .. 3 A AC 0 .. 4 A AC 0 .. 5 A AC |
| Input signal frequency | 40 .. 70 Hz |
| Analog output signal (configurable) | 0 .. 20 mA 4 .. 20 mA ± 20 mA 20 .. 0 mA 20 .. 4 mA 0 .. 5 V 0 .. 10 V ± 5 V ± 10 V 10 .. 0 V |
| CT3-AC, CT3-AC-24 | |
| Analog output signal (CT3-AC-LP) | 4 .. 20 mA |
| Maximum analog output current | 24mA |
| Maximum analog output voltage | 12V |
| Load | $\leq 600\Omega$ (current output) $\geq 10k\Omega$ (voltage output) |
| Operating temperature | -20°C .. 60°C |
| Isolation | 1.5 kVrms |
| IP class | IP20 |
| Connection | Screw terminals |
| Mounting type | Rail mounted |

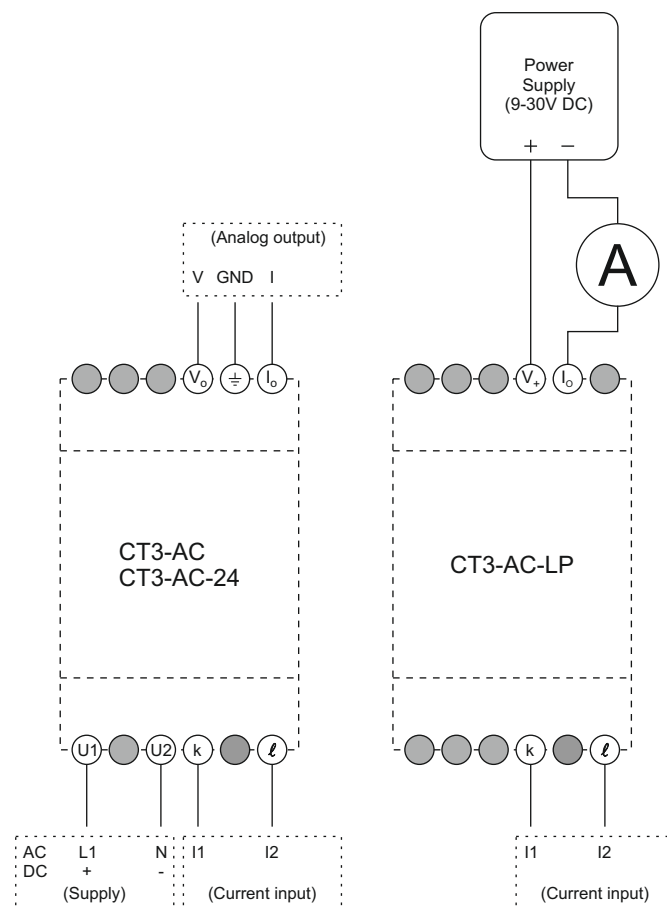
dimensions



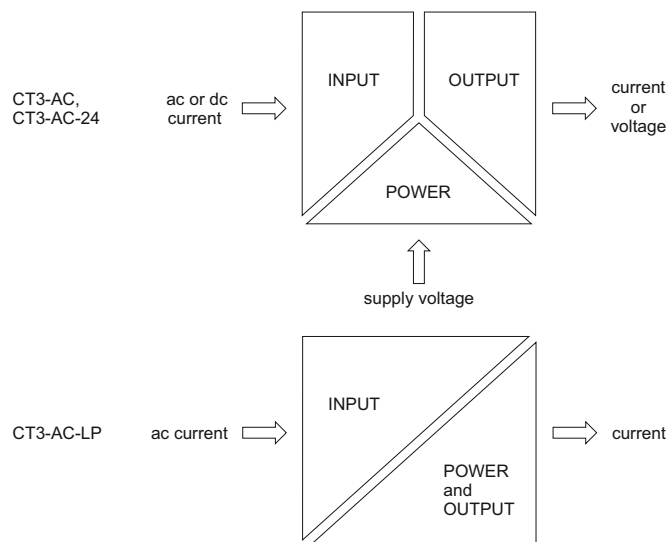
failure indication

| Failure Status | LED Indication |
|------------------------------------|----------------|
| voltage output mode: short circuit | Err: |
| current output mode: open circuit | Err: |
| no signal | ON: |

connections



isolation diagram



Klemsan® VT series

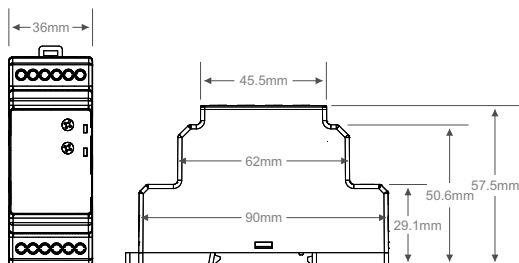
Isolated True RMS Voltage Transducer

| type | order no |
|-------------|----------|
| VT3-AC | 600 101 |
| VT3-AC-24 | 600 103 |
| VT3-AC-LP | 600 105 |
| VT3-ACDC-24 | 600 106 |

technical specifications

| | |
|-------------------------------------|--|
| Supply voltage (U_N) | VT3-AC : 85 .. 265V AC/DC VT3-AC-24 : 10 .. 36V DC VT3-ACDC-24 : 10 .. 36V DC VT3-AC-LP : 9 .. 30V DC |
| Power consumption | < 1.5 W < 4 VA |
| Response time | < 350 ms |
| Measurement error | < %0.2 (full scale, 25°C) |
| Temperature coefficient | < 150 ppm/°C |
| Load | ≤ 600Ω (current output) ≥ 10kΩ (voltage output) |
| Input signal range (configurable) | 0 .. 24 V AC 0 .. 36 V AC 0 .. 54 V AC 0 .. 80 V AC 0 .. 120 V AC 0 .. 170 V AC 0 .. 250 V AC 0 .. 400 V AC 0 .. 450 V AC 0 .. 500 V AC |
| VT3-AC, VT3-AC-24, VT3-AC-LP | |
| Input signal range (configurable) | 0 .. 24 V AC 0 .. 54 V AC 0 .. 120 V AC 0 .. 250 V AC 0 .. 450 V AC |
| VT3-ACDC-24 | 0 .. 24 V DC 0 .. 54 V DC 0 .. 120 V DC 0 .. 250 V DC 0 .. 450 V DC |
| Input signal frequency | 40 .. 70 Hz |
| Analog output signal (configurable) | 0 .. 20 mA 4 .. 20 mA ±20 mA 20 .. 0 mA 20 .. 4 mA 0 .. 5 V 0 .. 10 V ±5 V ±10 V 10 .. 0 V |
| VT3-AC, VT3-AC-24, VT3-ACDC-24 | |
| Analog output signal (VT3-AC-LP) | 4 .. 20 mA |
| Maximum analog output current | 24mA |
| Maximum analog output voltage | 12V |
| Operating temperature | -20°C .. 60°C |
| Isolation | 1.5 kVrms |
| IP class | IP20 |
| Connection | Screw terminals |
| Mounting type | Rail mounted |

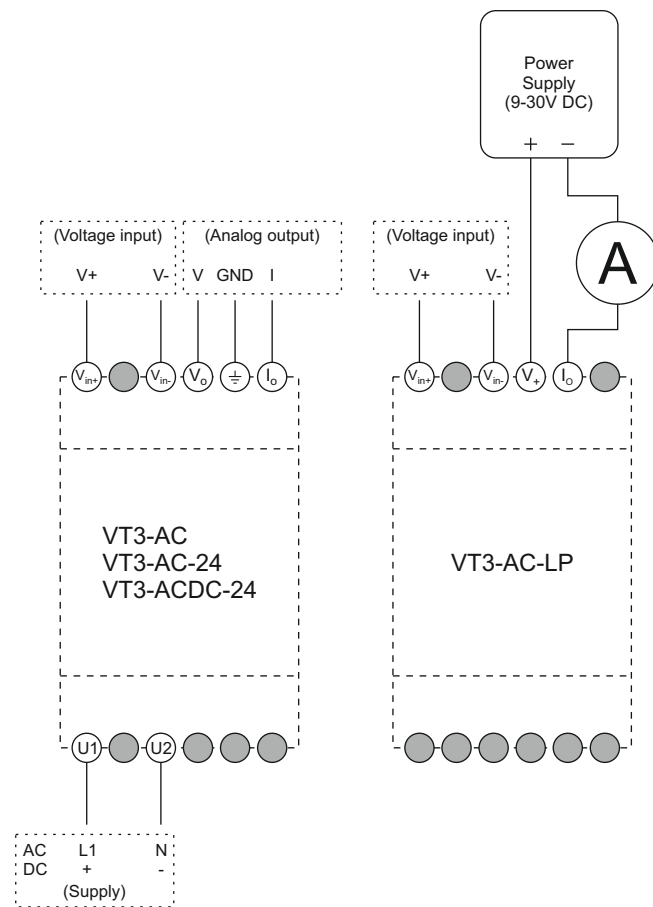
dimensions



failure indication

| Failure Status | LED Indication |
|------------------------------------|----------------|
| voltage output mode: short circuit | Err: |
| current output mode: open circuit | Err: |
| no signal | ON: |

connections



isolation diagram

